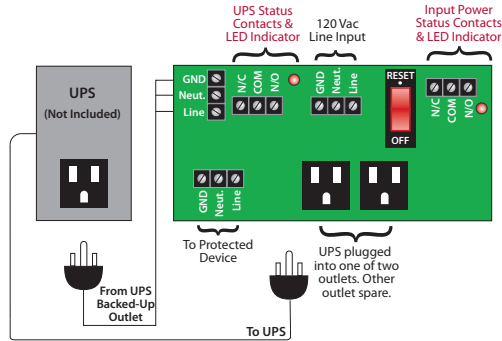


ENCLOSED UPS INTERFACE MODULE

PSH2C2RB10

UPS Power Control Center Interface Board, Status Contacts, 2.75" Track Mount in 12" x 16" x 6" Metal Enclosure



SPECIFICATIONS

- Operating Temperature:** -30 to 140° F
- Humidity Range:** 5 to 95% (noncondensing)
- Main Breaker ON/OFF:** Switch / Breaker (10 Amp)
- Approvals:** UL Listed, UL916, C-UL, CE, RoHS, NEMA 1
- Dimensions:** 4.75"H x 2.75"W x 1.25"D1/1.75"D2
- Housing Detail:** See **Housing H** in housing guide for dimensions
Metal Housing with Screw Cover
- Origin:** Made of US and non-US parts

- Line Input Status Contacts and UPS**
- Output Status Contacts Rated:**
 - 10 Amp @ 277 Vac General Use
 - 10 Amp @ 30 Vdc N/O
 - 7 Amp @ 30 Vdc N/C
 - 1/2 HP @ 125 Vac
 - 1/4 HP @ 277 Vac
 - 100 VA @ 120 Vac Ballast N/C
 - C300 Pilot Duty
 - 16.8 VA @ 24 Vac Pilot Duty

- Notes:**
- Track mounted interface board may be ordered separately as model PSMN2C2RB10, to be used with any commercial UPS with appropriate ratings for the circuit breaker.
 - Circuit breaker for short-circuit protection.
 - 14/3 Line Cord included (3').
 - Use with UPS devices rated 1000 VA or less.
 - Max. size: 12.000" x 7.250" x 5.500"
 - 120 Vac max., 600 W max., 8.3 Amp max.
 - UPS is not included.

UPS Status Contacts and LED Indicator

The UPS status contacts and LED indicate power from the UPS. When normal power is present, the relay is energized, and the LED is on. When normal power is lost, the relay will be energized as long as the UPS can sustain it (until the UPS battery is depleted), and the LED is on.

Input Power Status Contacts and LED Indicator

The input power status contacts and LED indicate the presence of normal power. When normal power is present, the relay is energized, and the LED is on. When normal power is lost, the relay is de-energized, and the LED is off.